

#### Announcements

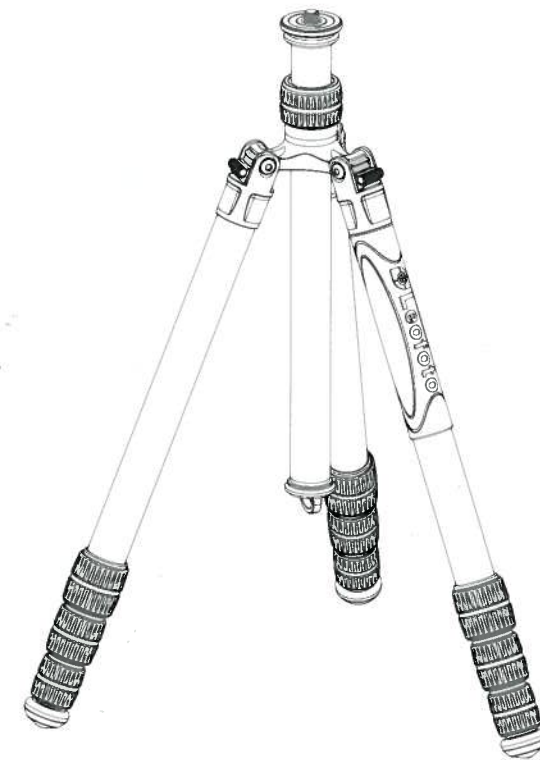
- Do not overweight the Max.load.(For the Max.Load please refer to the product specification.)
- Please ensure that the security system is in the locked status when using
- This product is not applied in the situation as below ,the temperature of 40 centidegree below zero,or higher than 100 centidegree above zero.And when this product is used in the grounds of damp,dene or dusty,please dry and cleanit afteruse .Moreover,it is not recommended to apply this product in the seawater
- Please keep away from high-temperature envir onments and do not put it under the shining sun too long.For instance do not put it in the carriages or behind the glass windows too long.
- Please do not leave the equipments alone in the public places, which will probably bring some inconvenience to the others.
- To protect the equipments(like cameras),please remove them from the tripod when transportation
- Please use the soft towel with modrate detergentn to clean the locking system and the gliding parts when necessary
- For common situations,this product do not need lubricant regularly. If necessary,please apply with the regular-lubricants or wax oil
- For safety notes ,please keep this product away from all electricpower sources.

- 注意事項**  
不要超過最大之指定負重 (請參考個別產品說明書)。
- 當使用本品時，時常鎖緊安全引擎及裝置。
- 切勿在溫度低於零下40攝氏度及高于100攝氏度下使用。  
當在潮濕/沙地/滿布塵埃的環境下使用後，謹記將產品弄幹及清潔，不建議于海水中使用。
- 切勿將產品長時間放在太陽下曝曬及避免高溫環境，例如長時間放在車廂內或玻璃後。
- 當在公眾地方工作時，如在沒有人照料下，切勿留下設備因而引致其他公眾不便。
- 建議在運輸過程中，將設備 (例如相機) 從腳架上移除。
- 使用溫和清潔劑及柔軟毛巾清潔，將塵埃及沙粒從所有鎖制及滑動部分清除。
- 除非有需要，此設備無需定期加添潤滑油，如確實需要時請使用標準潤滑或油蠟。
- 為自身安全着想，切勿將產品接觸任何電源。

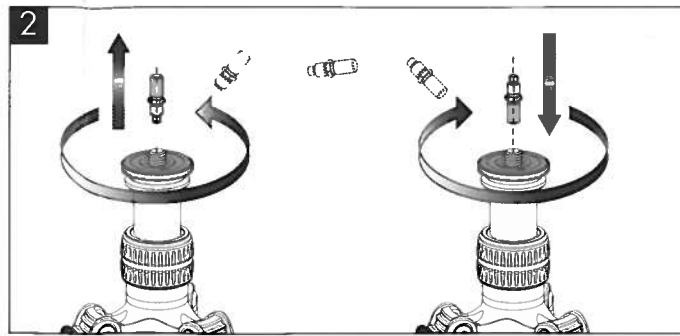
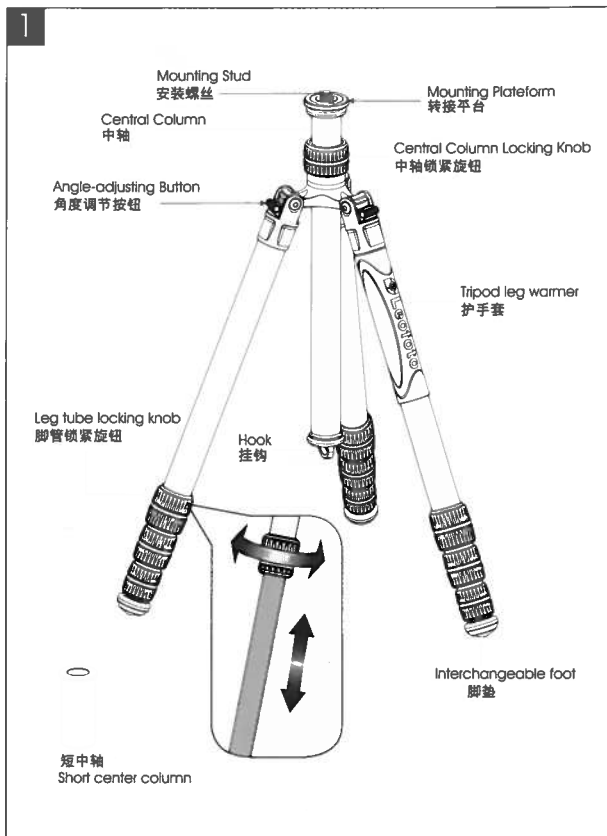
#### 中山市徠圖攝影器材有限公司

地址：广东省中山市三乡镇平东工业区伟业路6号  
电话：0760-85885368 传真：0760-85885228  
邮编：528463 网址：[//www.leofoto.com](http://www.leofoto.com)

**Zhongshan Laitu Photographic Equipment Co., Ltd**  
No.6 Weiye Road, Pingdong Industrial Zone, Sanxiang Town,  
Zhongshan City, Guandong, P.R.China Zip:528463  
Tel : +86-760-85885368 Fax: +86 760 85885228



## Urban-Series Tripod USER MANUAL



**Pic.1 What is tripod**

图1-认识三脚架

**Pic.2 3/8" & 1/4" mounting stud**

Turn the mounting platform clockwise completely and pull out the mounting stud and then install it with the other end upside. Turn the mounting platform anticlockwise to lock.

**图2--3/8"与1/4"螺牙的互换使用**

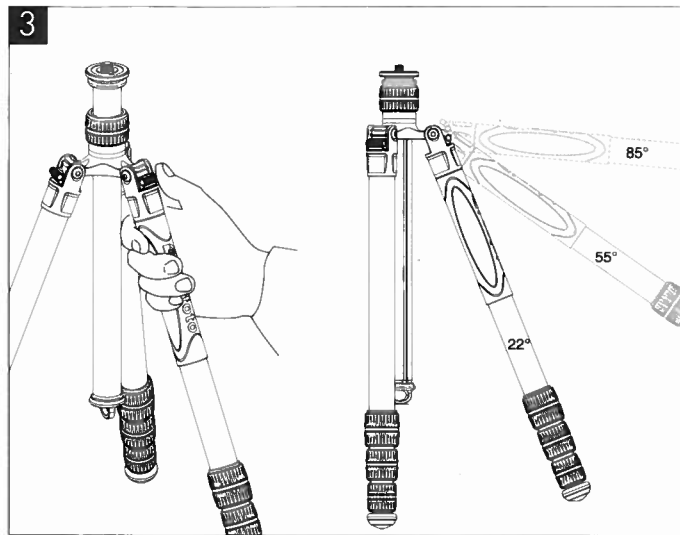
按图示松开转接平台即可旋出转接螺丝,调头后把它放入到转接平台的内六角孔里面,然后按图示方向旋紧即可实现3/8"与1/4"螺牙两端的调用。

**Pic.3 Setting leg angles**

The tripod can be arranged in 3 angles (85° 55° 22°) to meet different shooting requests. As shown in the Pic. press the angle button and swing leg to desired position. Release the angle button and it will engage.

**图3-角度的调节**

该脚架的每支脚均可调节三种支撑角度(85° 55° 22°),以适应不同的拍摄要求;如图所示压下角度控制按钮,转动到一定的角度,放开角度控制按钮,再将脚管移至需要的角度即可。

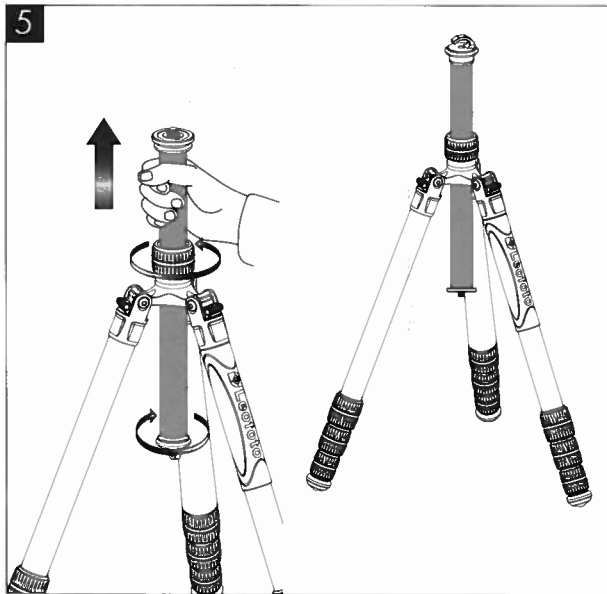


**Pic.4 Disassembling the leg portions and rubber feet**

Pic. a Turn the twist lock and rubber foot clockwise to detach the twist lock and rubber foot. Pic. b Plug the included allen wrench into the hole in one-piece sleeves and press the bump on the shim. Repeat this in the other hole and pull out the sleeves.

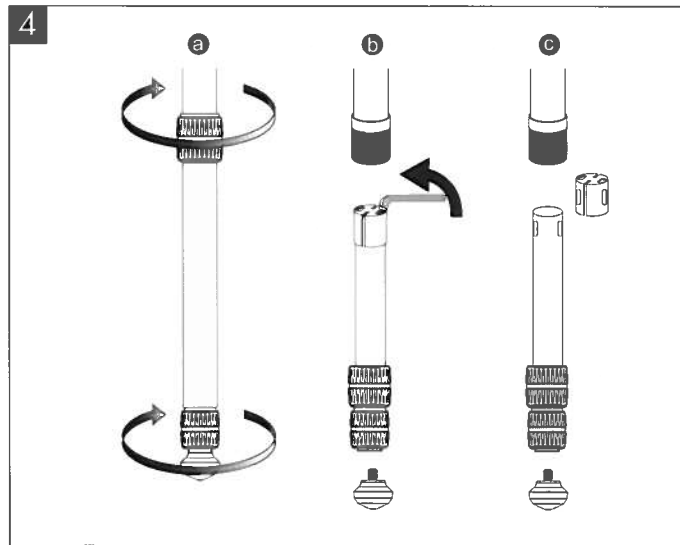
**图4-脚管及脚垫的拆卸**

如图a所示将锁紧旋钮及脚垫顺时针方向转动,拆卸脚管及脚垫;如图b所示用扳手分别置入一体式防滑片两个孔,弹松垫片拔出即可如图c。



**Pic.5 Installing center column in reverse**

图5-中轴的倒转安装



**Pic.6 Ground setting**

Remove the center column by loosening the twist lock. Set the angle of the tripod to the maximum and install the included short center column, mounting platform and 3/8" & 1/4" mounting stud one by one, tighten the twist lock. Ground setting is now finished.

**图6-微距拍摄的使用**

先把角度调到最大档位,然后将中心管抽走,接着依次把短中轴、转接平台、3/8" 转接螺丝置入三脚架中旋紧即可达到最低角度拍摄。

**Pic.7 Folding**

Withdraw and tighten all the legs, keep pressing the angle button (shown in the picture), and make the three legs turn to the opposite direction.

**图7-脚架的反折叠**

将所有的脚管全部缩回并锁紧后,如图所示按下角度调节按钮不放,同时分别扳动三支脚管至反侧即可实现反折叠,使脚架达到最小尺寸,方便携带。